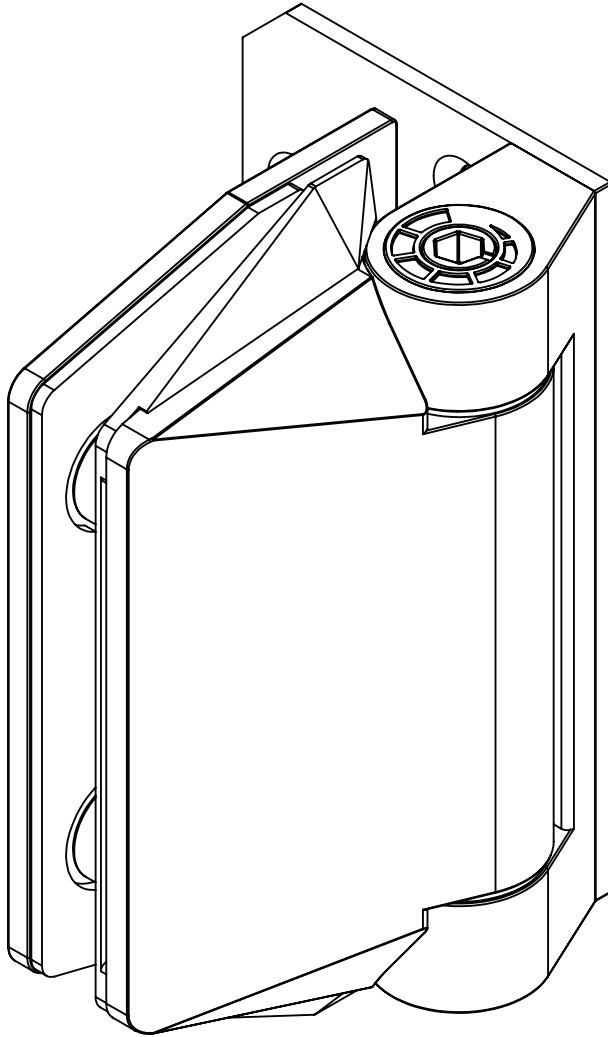


125 SERIES POOL HINGE

GLASS TO WALL

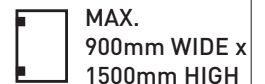


FINISHES AND FUNCTIONS

- 2205 GRADE STAINLESS STEEL
- 3 SURFACE FINISHES
- SIMPLE *QUIK-ADJUST* RATCHET SYSTEM
- SINGLE-ACTION
- SOFT CLOSE
- NON-HOLD OPEN
- ANTI-FOOT-HOLD GASKET AND SAFETY CAP INCLUDED



10mm
12mm



MAX.
900mm WIDE x
1500mm HIGH



MAX 45kg



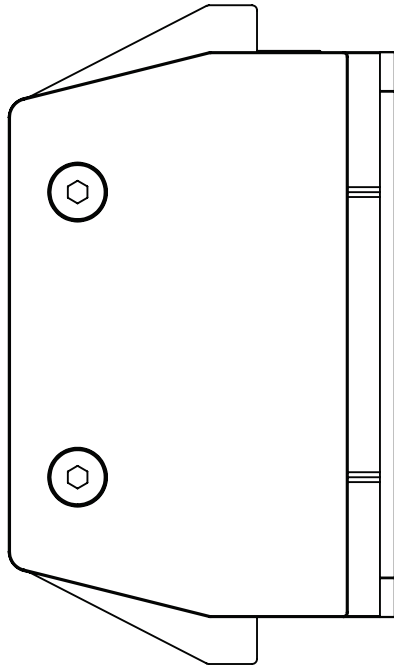
- 10°C
+ 50°C



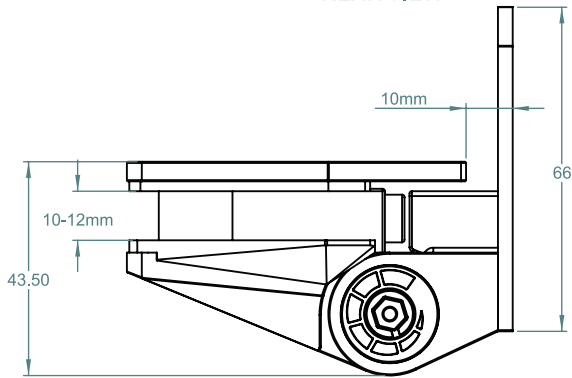
90°

125 SERIES POOL HINGE

- SELF-CLOSING SAFETY HINGE FOR GLASS POOL FENCING
- TO BE USED WITH CHILD PROOF SAFETY LATCH
- COMPLIES WITH AUSTRALIAN STANDARDS FOR POOL GATE HARDWARE
- NATA ACCREDITED AND INDEPENDENTLY TESTED TO 25 000 CYCLES (NATA = NATIONAL ASSOCIATION OF TESTING AUTHORITIES AUSTRALIA)



REAR VIEW

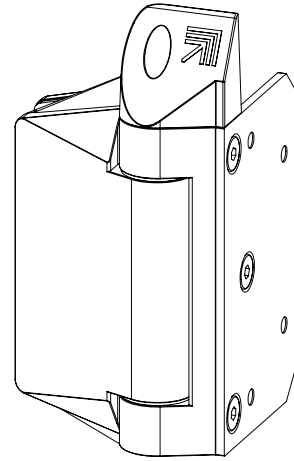


TOP VIEW

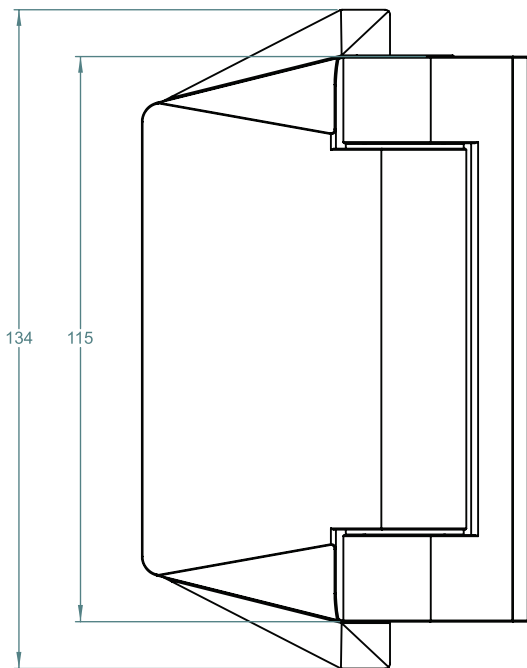
TO ORDER SPECIFY:

- 125WP POLISHED FINISH
- 125WS SATIN FINISH
- 125WB BLACK FINISH

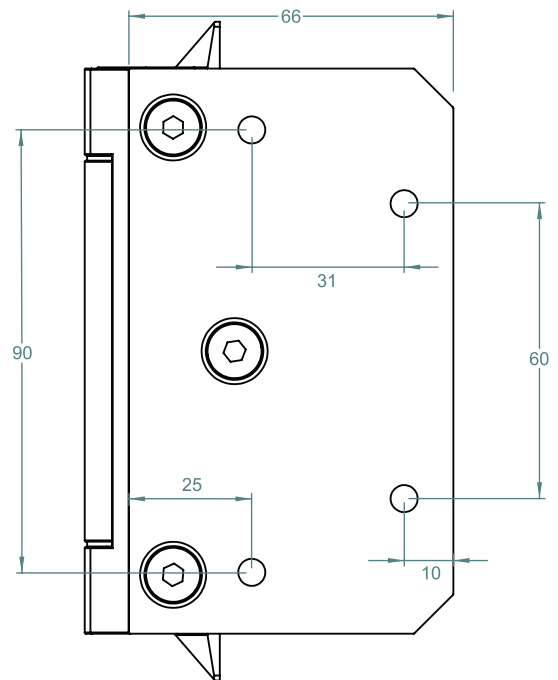
SQUARE OR ROUND
POST BRACKETS
AVAILABLE



INSTALLED SAFETY CAP



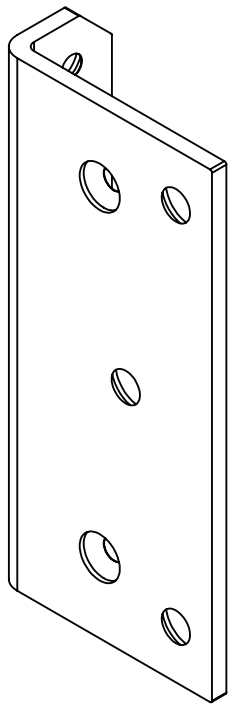
FRONT VIEW



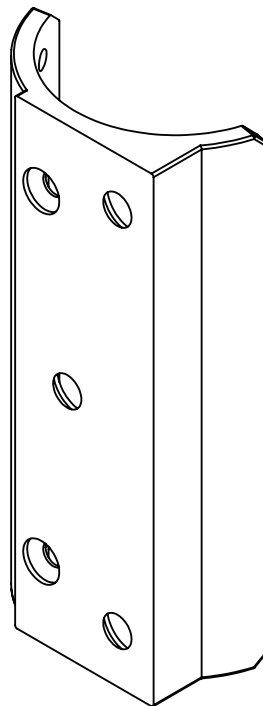
SIDE VIEW

125 SERIES POOL HINGE

GLASS TO POST BRACKETS



**SQUARE POST
BRACKET**
(MODEL SP)



**ROUND POST
BRACKET**
(MODEL RP)

125 SERIES POOL HINGE

- SELF-CLOSING SAFETY HINGE FOR GLASS POOL FENCING
- TO BE USED WITH CHILD PROOF SAFETY LATCH
- COMPLIES WITH AUSTRALIAN STANDARDS FOR POOL GATE HARDWARE
- NATA ACCREDITED AND INDEPENDENTLY TESTED TO 25 000 CYCLES (NATA = NATIONAL ASSOCIATION OF TESTING AUTHORITIES AUSTRALIA)

FINISHES AND FUNCTIONS

- 2205 GRADE STAINLESS STEEL
- POLISHED STAINLESS
- BRUSHED STAINLESS
- MATT BLACK
- DESIGNED TO FIT WITH 125 GLASS TO WALL HINGE (MODEL 125W)



10mm
12mm



MAX.
900mm WIDE x
1500mm HIGH



MAX 45kg



- 10°C
+ 50°C

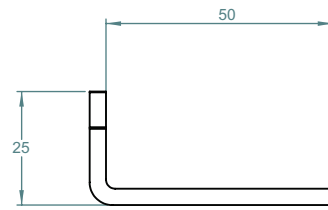


90°

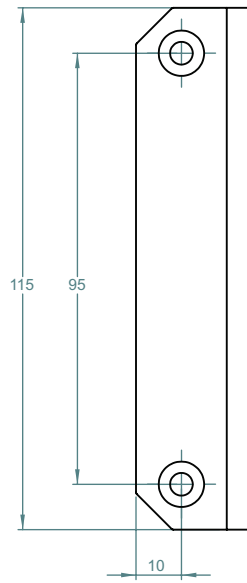
SQUARE POST BRACKET

TO ORDER SPECIFY:

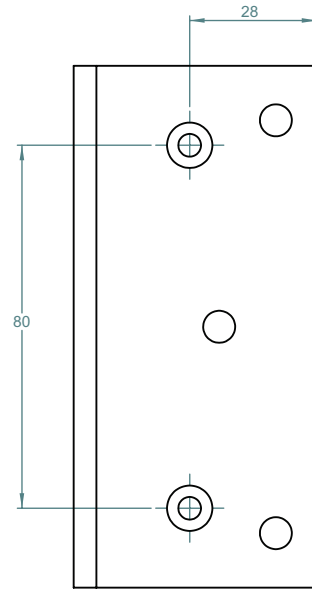
- **SPP** POLISHED FINISH
- **SPS** SATIN FINISH
- **SPB** BLACK FINISH



TOP VIEW



FRONT VIEW

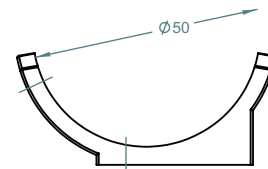


SIDE VIEW

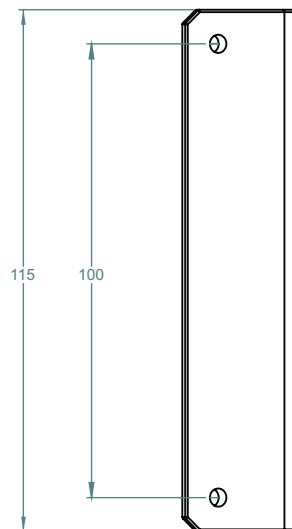
ROUND POST BRACKET

TO ORDER SPECIFY:

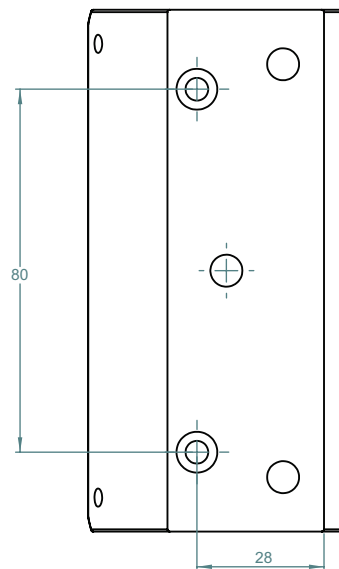
- **RPP** POLISHED FINISH
- **RPS** SATIN FINISH
- **RPB** BLACK FINISH



TOP VIEW



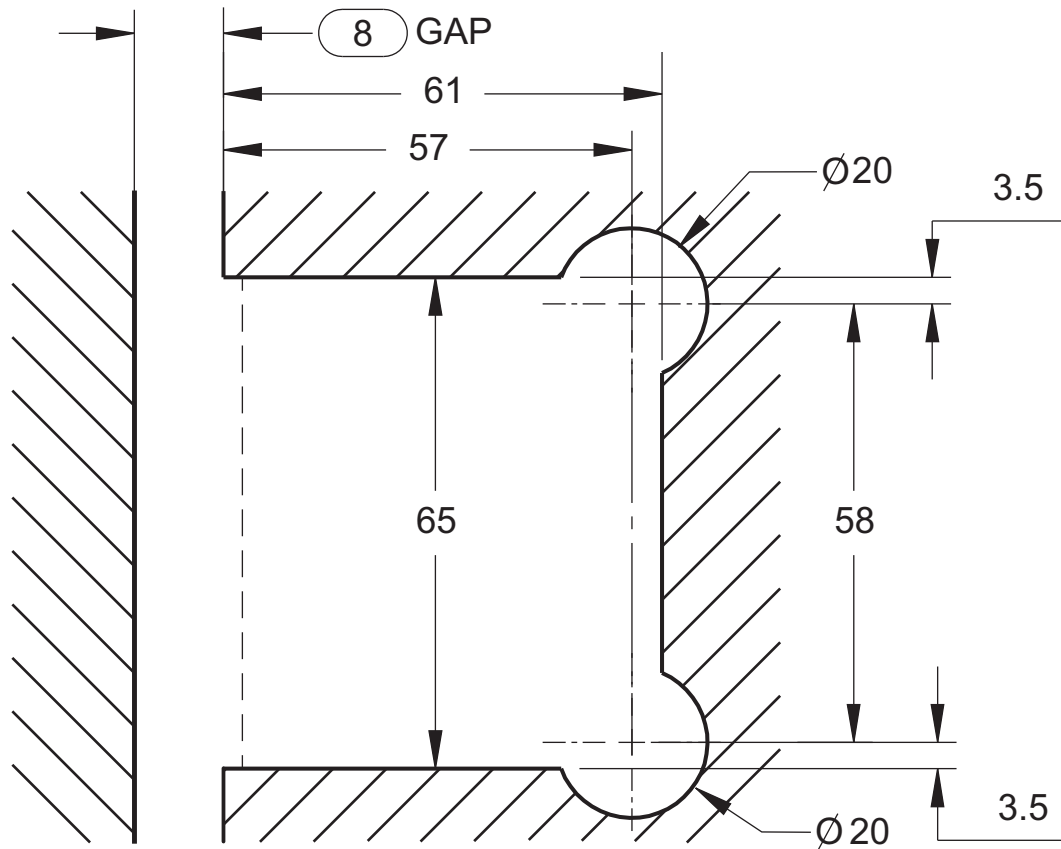
FRONT VIEW



SIDE VIEW

125 HINGE MODEL

GLASS TO WALL / POST



GLASS CUT-OUT TOP AND BOTTOM
[ALL DIMENSIONS IN MILLIMETERS]